

Surface Mount Glass Passivated Ultrafast Rectifier

SUPERECTIFIER®

DO-214BA (GF1)
FEATURES

- Superectifier structure for high reliability condition
- Cavity-free glass-passivated junction
- Ideal for automated placement
- Ultrafast reverse recovery time
- Low switching losses, high efficiency
- Avalanche surge energy capability
- Meets environmental standard MIL-S-19500
- Meets MSL level 1, per J-STD-020, LF maximum peak of 250 °C
- AEC-Q101 qualified
- Material categorization: For definitions of compliance please see www.vishay.com/doc?99912


RoHS
COMPLIANT

PRIMARY CHARACTERISTICS	
$I_{F(AV)}$	1.0 A
V_{RRM}	1300 V
I_{FSM}	20 A
t_{rr}	75 ns
E_{AS}	15 mJ
V_F at $I_F = 1.0$ A	3.0 V
T_J max.	150 °C
Package	DO-214BA (GF1)
Diode variations	Single die

TYPICAL APPLICATIONS

For use in high voltage rectification of photoflash application.

MECHANICAL DATA

Case: DO-214BA, molded plastic over glass body
Molding compound meets UL 94 V-0 flammability rating
Base P/N-E3 - RoHS-compliant, commercial grade
Base P/NHE3 - RoHS-compliant, AEC-Q101 qualified

Terminals: Matte tin plated leads, solderable per J-STD-002 and JESD 22-B102

E3 suffix meets JESD 201 class 1A whisker test, HE3 suffix meets JESD 201 class 2 whisker test

Polarity: Color band denotes cathode end

MAXIMUM RATINGS ($T_A = 25$ °C unless otherwise noted)			
PARAMETER	SYMBOL	EGF1T	UNIT
Device marking code		ET	
Maximum repetitive peak reverse voltage	V_{RRM}	1300	V
Maximum RMS voltage	V_{RMS}	910	V
Maximum DC blocking	V_{DC}	1300	V
Maximum average forward rectified current	$I_{F(AV)}$	1.0	A
Peak forward surge current 8.3 ms single half sine-wave superimposed on rated load	I_{FSM}	20	A
Non-repetitive avalanche energy at $T_A = 25$ °C, $I_{AS} = 1$ A, $L = 30$ mH	E_{AS}	15	mJ
Operating junction and storage temperature range	T_J, T_{STG}	- 55 to + 150	°C



ELECTRICAL CHARACTERISTICS (T _A = 25 °C unless otherwise noted)					
PARAMETER	TEST CONDITIONS		SYMBOL	EGF1T	UNIT
Maximum instantaneous forward voltage	1.0 A	T _J = 25 °C	V _F ⁽¹⁾	3.0	V
Maximum DC reverse current	V _{RM}	T _J = 25 °C	I _R ⁽²⁾	5.0	μA
		T _J = 125 °C		50	
Typical reverse recovery time	I _F = 0.5 A, I _R = 1.0 A, I _{rr} = 0.25 A		t _{rr}	75	ns
Typical junction capacitance	4.0 V, 1 MHz		C _J	8.0	pF

Notes

- (1) Pulse test: 300 μs pulse width, 1 % duty cycle
- (2) Pulse test: Pulse width ≤ 40 ms

THERMAL CHARACTERISTICS (T _A = 25 °C unless otherwise noted)			
PARAMETER	SYMBOL	EGF1T	UNIT
Typical thermal resistance	R _{θJA} ⁽¹⁾	50	°C/W
	R _{θJL} ⁽¹⁾	20	

Note

- (1) Thermal resistance from junction to ambient and from junction to lead, PCB mounted on 0.95" x 0.95" (24 mm x 24 mm) copper pad areas

ORDERING INFORMATION (Example)				
PREFERRED P/N	UNIT WEIGHT (g)	PREFERRED PACKAGE CODE	BASE QUANTITY	DELIVERY MODE
EGF1T-E3/67A	0.104	67A	1500	7" diameter plastic tape and reel
EGF1T-E3/5CA	0.104	5CA	6500	13" diameter plastic tape and reel
EGF1THE3/67A ⁽¹⁾	0.104	67A	1500	7" diameter plastic tape and reel
EGF1THE3/5CA ⁽¹⁾	0.104	5CA	6500	13" diameter plastic tape and reel

Note

- (1) AEC-Q101 qualified

RATINGS AND CHARACTERISTICS CURVES (T_A = 25 °C unless otherwise noted)

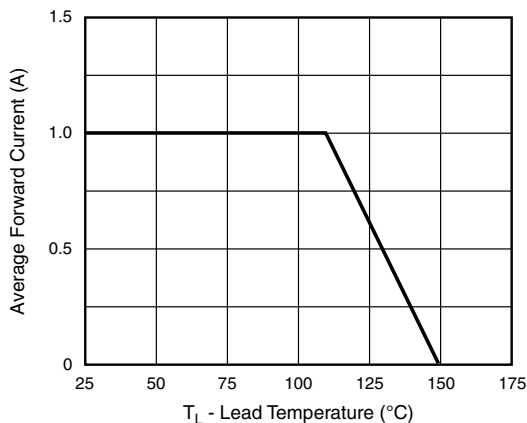


Fig. 1 - Maximum Forward Current Derating Curve

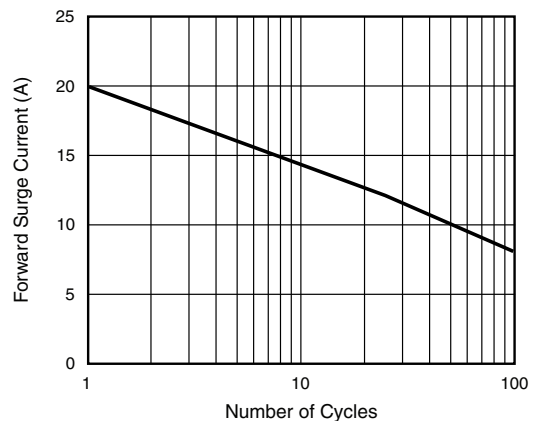


Fig. 2 - Maximum Non-Repetitive Forward Surge Current

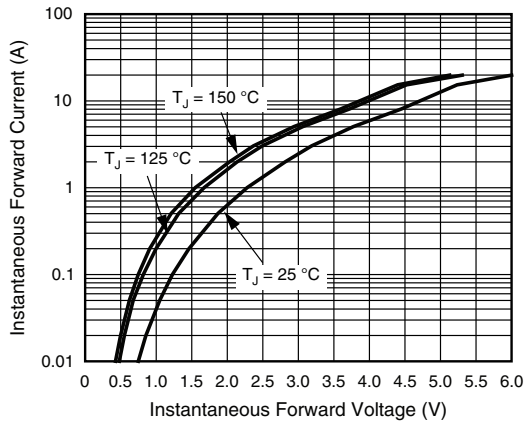


Fig. 3 - Typical Instantaneous Forward Characteristics

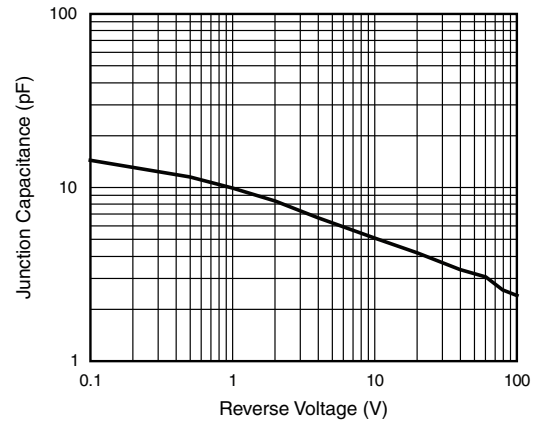


Fig. 5 - Typical Junction Capacitance Per Leg

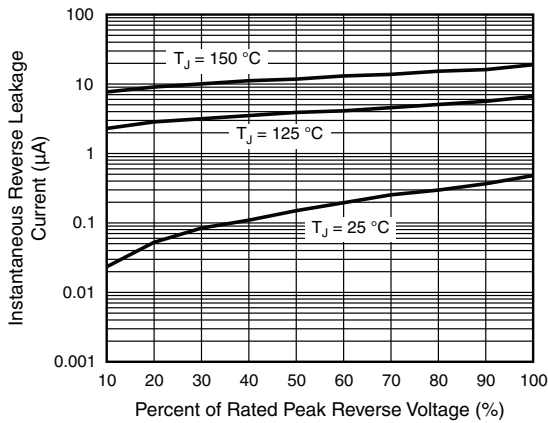


Fig. 4 - Typical Reverse Leakage Characteristics

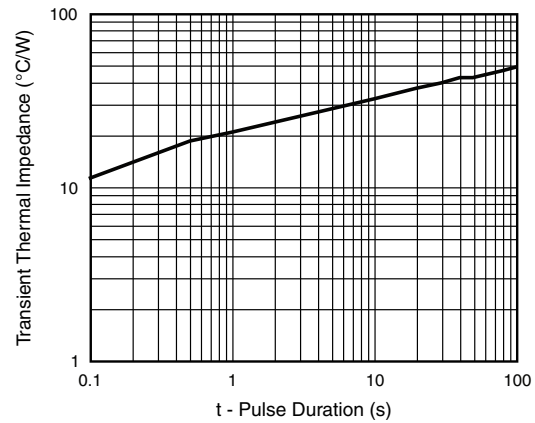
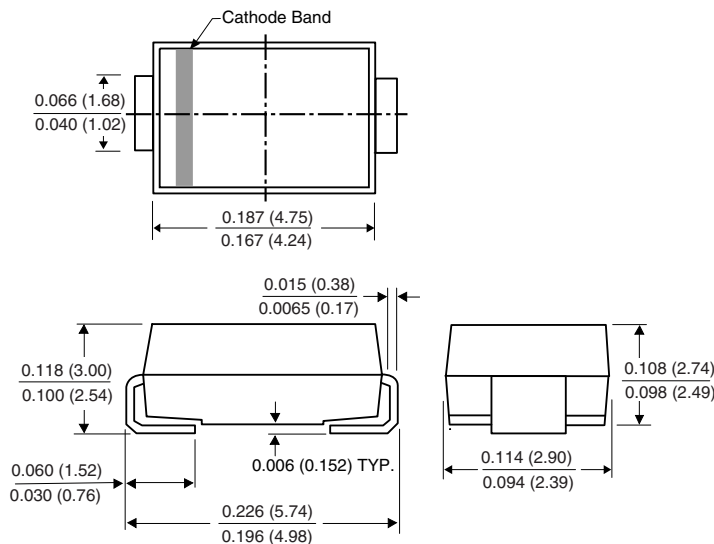


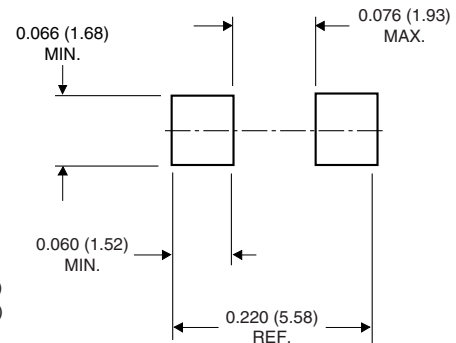
Fig. 6 - Typical Transient Thermal Impedance

PACKAGE OUTLINE DIMENSIONS in inches (millimeters)

DO-214BA (GF1)



Mounting Pad Layout





Disclaimer

ALL PRODUCT, PRODUCT SPECIFICATIONS AND DATA ARE SUBJECT TO CHANGE WITHOUT NOTICE TO IMPROVE RELIABILITY, FUNCTION OR DESIGN OR OTHERWISE.

Vishay Intertechnology, Inc., its affiliates, agents, and employees, and all persons acting on its or their behalf (collectively, "Vishay"), disclaim any and all liability for any errors, inaccuracies or incompleteness contained in any datasheet or in any other disclosure relating to any product.

Vishay makes no warranty, representation or guarantee regarding the suitability of the products for any particular purpose or the continuing production of any product. To the maximum extent permitted by applicable law, Vishay disclaims (i) any and all liability arising out of the application or use of any product, (ii) any and all liability, including without limitation special, consequential or incidental damages, and (iii) any and all implied warranties, including warranties of fitness for particular purpose, non-infringement and merchantability.

Statements regarding the suitability of products for certain types of applications are based on Vishay's knowledge of typical requirements that are often placed on Vishay products in generic applications. Such statements are not binding statements about the suitability of products for a particular application. It is the customer's responsibility to validate that a particular product with the properties described in the product specification is suitable for use in a particular application. Parameters provided in datasheets and / or specifications may vary in different applications and performance may vary over time. All operating parameters, including typical parameters, must be validated for each customer application by the customer's technical experts. Product specifications do not expand or otherwise modify Vishay's terms and conditions of purchase, including but not limited to the warranty expressed therein.

Except as expressly indicated in writing, Vishay products are not designed for use in medical, life-saving, or life-sustaining applications or for any other application in which the failure of the Vishay product could result in personal injury or death. Customers using or selling Vishay products not expressly indicated for use in such applications do so at their own risk. Please contact authorized Vishay personnel to obtain written terms and conditions regarding products designed for such applications.

No license, express or implied, by estoppel or otherwise, to any intellectual property rights is granted by this document or by any conduct of Vishay. Product names and markings noted herein may be trademarks of their respective owners.