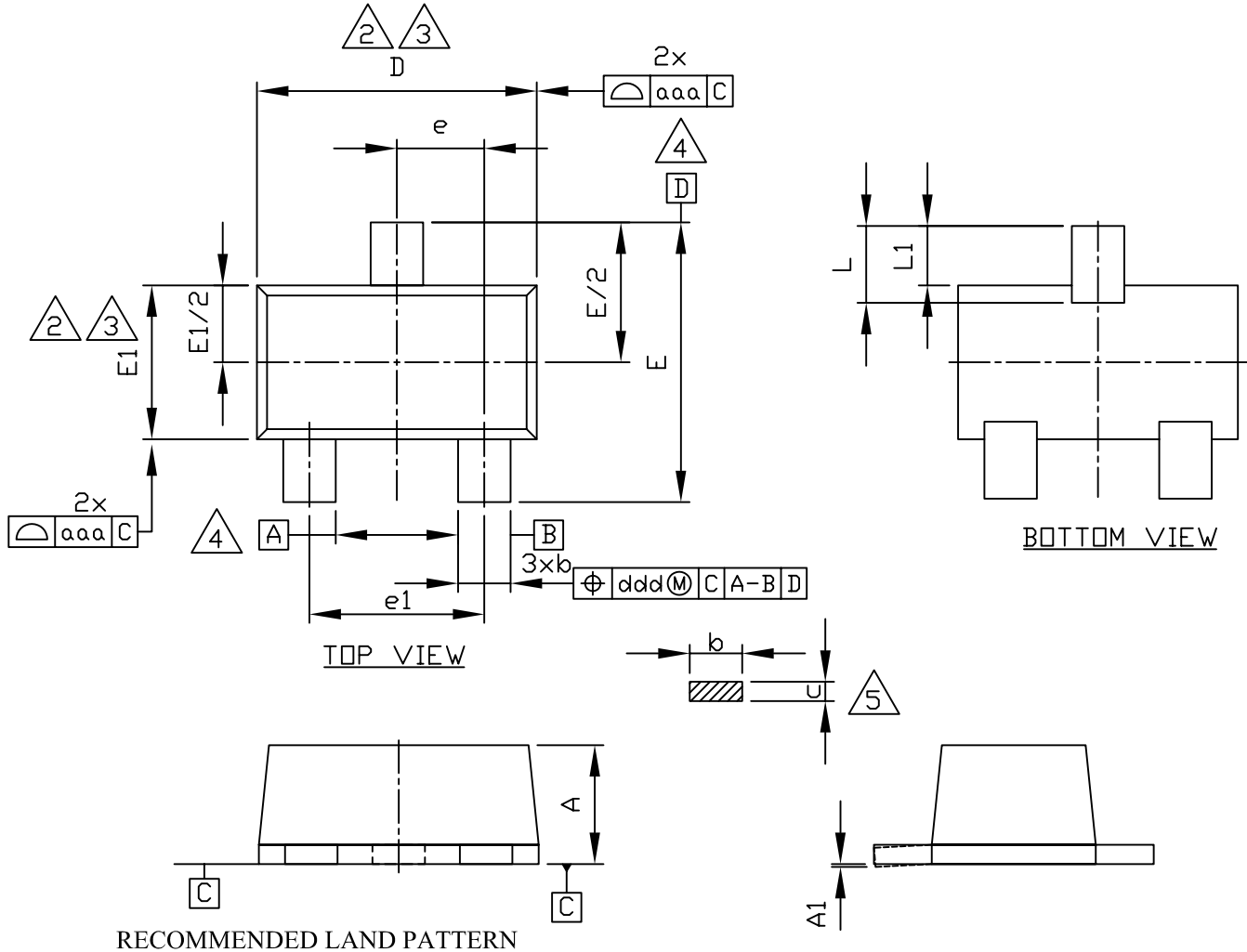
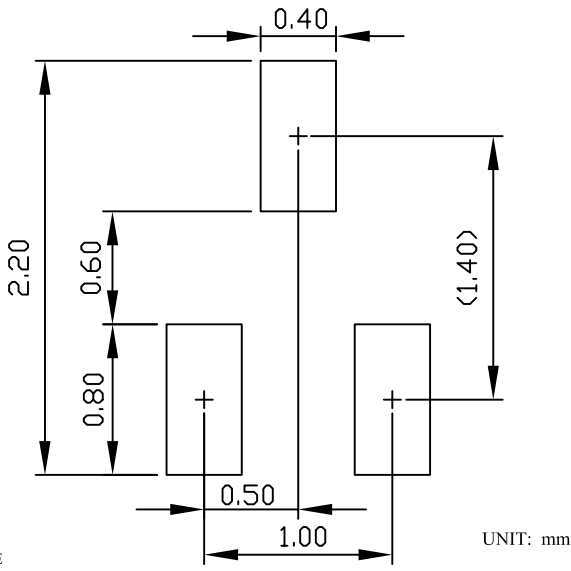




SC89 PACKAGE OUTLINE



RECOMMENDED LAND PATTERN



UNIT: mm

SYMBOLS	DIMENSIONS IN MILLIMETERS			DIMENSIONS IN INCHES		
	MIN	NOM	MAX	MIN	NOM	MAX
A	0.63	0.68	0.73	0.025	0.027	0.029
A1	0.00	—	0.10	0.000	—	0.004
b	0.25	0.30	0.35	0.010	0.012	0.014
c	0.04	0.11	0.20	0.002	0.004	0.008
D	1.50	1.60	1.70	0.059	0.063	0.067
E	1.50	1.60	1.70	0.059	0.063	0.067
E1	0.78	0.88	0.98	0.031	0.035	0.039
e	0.50 BSC			0.020 BSC		
e1	0.90	—	1.10	0.035	—	0.043
L	0.34	0.44	0.54	0.013	0.017	0.021
L1	0.28	0.34	0.43	0.011	0.013	0.017
aaa	0.10			0.004		
bbb	0.10			0.004		
ccc	0.10			0.004		
ddd	0.10			0.004		

NOTE

- ALL DIMENSIONS ARE IN MILLIMETERS. CONTROLLING DIMENSION IS MILLIMETER. CONVERTED INCH DIMENSIONS ARE NOT NECESSARILY EXACT.
- DIMENSION D DOES NOT INCLUDE MOLD FLASH, PROTRUSIONS OR GATE BURRS. MOLD FLASH, PROTRUSIONS OR GATE BURRS SHALL NOT EXCEED 0.15MM PER END. DIMENSION E1 DOES NOT INCLUDE INTERLEAD FLASH OR PROTRUSION. INTERLEAD FLASH OR PROTRUSION SHALL NOT EXCEED 0.15MM PER SIDE.
- DIMENSIONS D AND E1 ARE DETERMINED AT THE OUTMOST EXTREMES OF THE PLASTIC BODY EXCLUSIVE OF MOLD FLASH, TIE BAR BURRS, GATE BURRS AND INTERLEAD FLASH, BUT INCLUDING ANY MISMATCH BETWEEN THE TOP AND BOTTOM OF THE PLASTIC BODY.
- DATUMS A, B AND D TO BE DETERMINED 0.1mm FROM THE LEAD TIP.
- THESE DIMENSIONS APPLY TO THE FLAT SECTION OF THE LEAD BETWEEN 0.08mm AND 0.15mm FROM THE LEAD TIP.