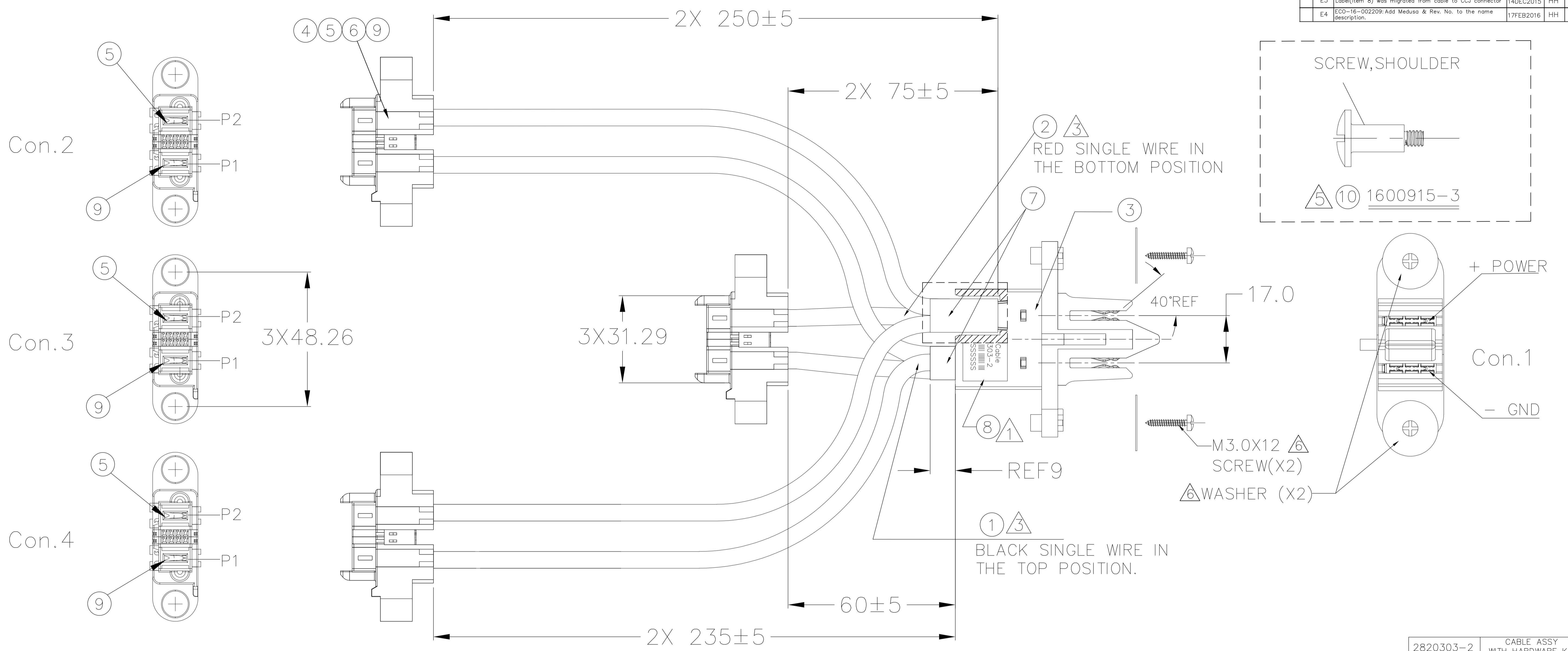
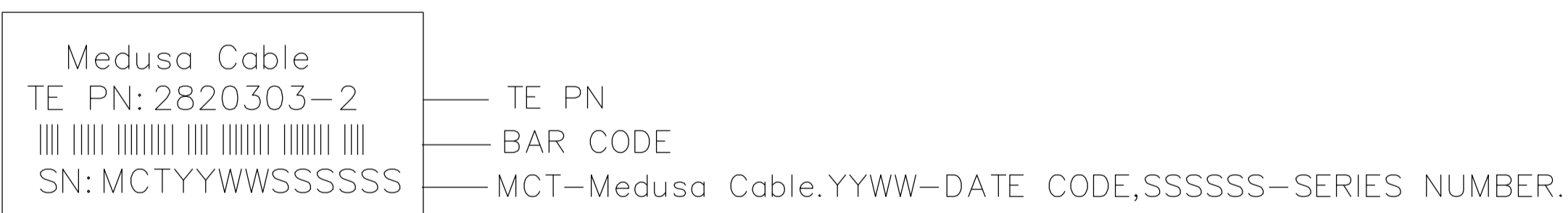


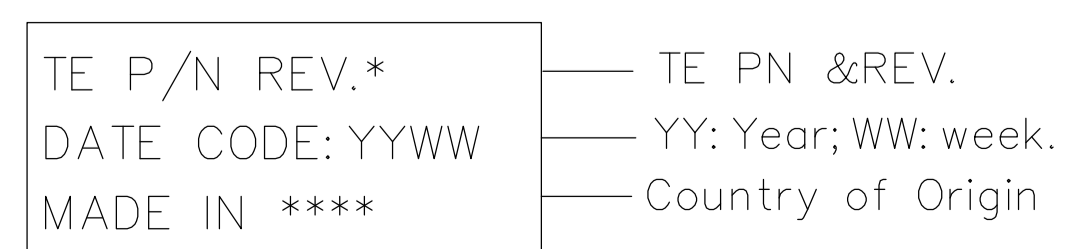
LOC	DIST	REVISIONS				
GP	00	REV	DESCRIPTION	DATE	DWN	APVD
		A	Release	28JUL2014	GL	WW
		C	ECO-14-017071, Change to Barcode label.	11NOV2014	GL	WW
		D	ECO-15-000967, Short Screw, Change Screw shoulder material.	16DEC2014	GL	DZ
		E	Add package material: Anti-Static Ziplock Bag with label.	06FEB2015	GL	DZ
		E3	Label (Item 8) was migrated from cable to CCJ connector	14DEC2015	HH	GL
		E4	ECO-16-002209: Add Medusa & Rev. No. to the name description.	17FEB2016	HH	AC



NOTES:
 1. THE MARKING TEXT AS FOLLOWS:



- 100% ELECTRICALLY TESTED: OPEN/SHORT, HI-POT. HI-POT: 500VDC, 50 MEGAOHMS FOR 100 MILLISECONDS.
- SINGLE WIRE WILL BE ALTERNATING PATTERN WHEN CRIMPING CCJ TERMINAL.
- ROHS COMPLIANCE: PRODUCT AND PROCESSING MEETS REQUIREMENTS OF TE SPECIFICATION TEC-138-702.
- HARDWARE KIT FOR MBXLE ONLY SCREW IS SUPPLIED BY TE. THE SCREWS WILL BE PACKAGED SEPARATELY. NUT WILL BE SUPPLIED BY CUSTOMER.
- SCREWS AND WASHERS FOR CCJ HOUSING WILL BE PACKAGED SEPARATELY.
- INDIVIDUALLY PACK EACH CABLE ASSEMBLY WITH A CLEAR ANTI-STATIC ZIPLOCK BAG.
- APPLY LABEL ONTO CLEAR ANTI-STATIC ZIPLOCK BAG, THE MARKING TEXT AS FOLLOWS:



WIRING CHART

FROM	TO	COLOR	SIZE
Con.2-P1	Con.1 - GND	BLACK	8 AWG
Con.3-P1			
Con.4-P1			
Con.2-P2	Con.1 + POWER	RED	8 AWG
Con.3-P2			
Con.4-P2			

QTY	DESCRIPTION	ITEM NO
12	LABEL ON THE ANTI-STATIC ZIPLOCK BAG.	12
11	CLEAR ANTI-STATIC ZIPLOCK BAG.	11
10	HARDWARE KIT FOR X,Y FLOATING SCREW, SHOULDER.	10
9	MBXLE RECEPT POWER CONTACT MFBL.	9
8	LABEL	8
7	HEAT SHRINK TUBE	7
6	MBXLE RECEPT POWER LOCK.	6
5	MBXLE RECEPT POWER CONTACT STD.	5
4	MBXLE RECEPT PMT CABLE HOUSING 1P/8S/1P	4
3	CCJ CONNECTOR.	3
2	WIRE, 8AWG, HIGH STRAND/HIGH FLEX, RED. VENDOR: Hwatek. Alternative: New England.	2
1	WIRE, 8AWG, HIGH STRAND/HIGH FLEX, BLACK. VENDOR: Hwatek. Alternative: New England.	1

THIS DRAWING IS A CONTROLLED DOCUMENT.

DIMENSIONS: mm	TOLERANCES UNLESS OTHERWISE SPECIFIED:	DWN: Grace Li 04DEC2013	TE Connectivity
0 PLC ±	± 0.40	CHK: Glen Gutgold 04DEC2013	NAME: CABLE ASSY, CUBBY POWER Medusa, E4
1 PLC ±	± 0.25	APPD: David Zhang 04DEC2013	PRODUCT SPEC: 108-2157/152000
2 PLC ±	±	APPLICATION SPEC: 114-13112	SIZE: A1
3 PLC ±	±	WEIGHT: 288 Grams	SCALE: N.T.S.
4 PLC ±	±	CUSTOMER DRAWING	SHEET 1 OF 1
ANGLES ±	±		REV: E4